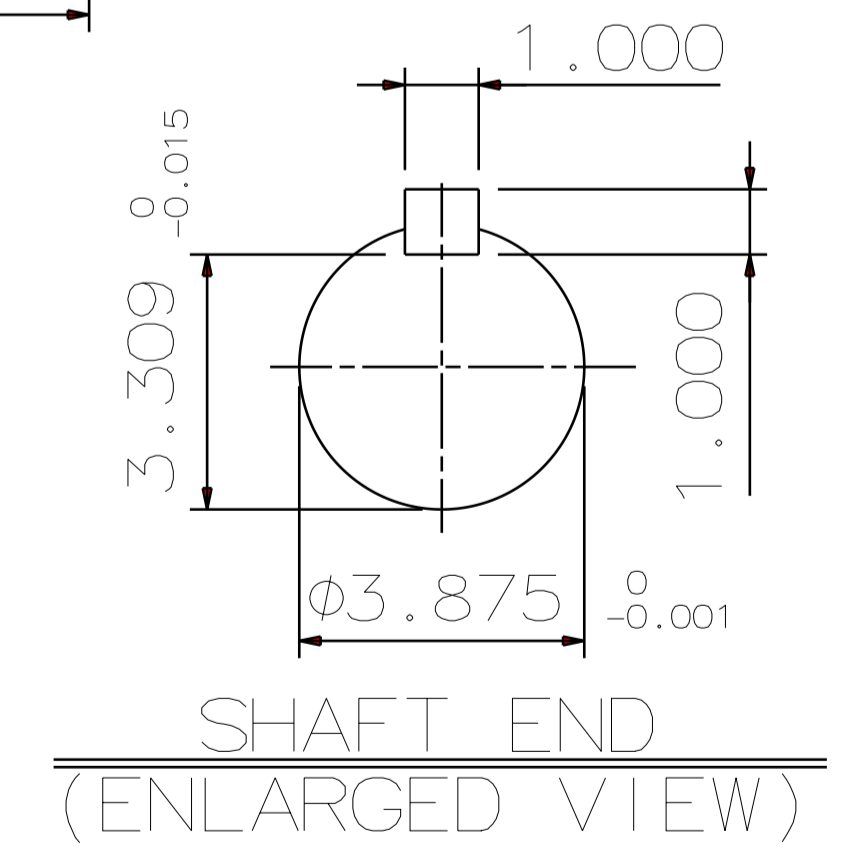
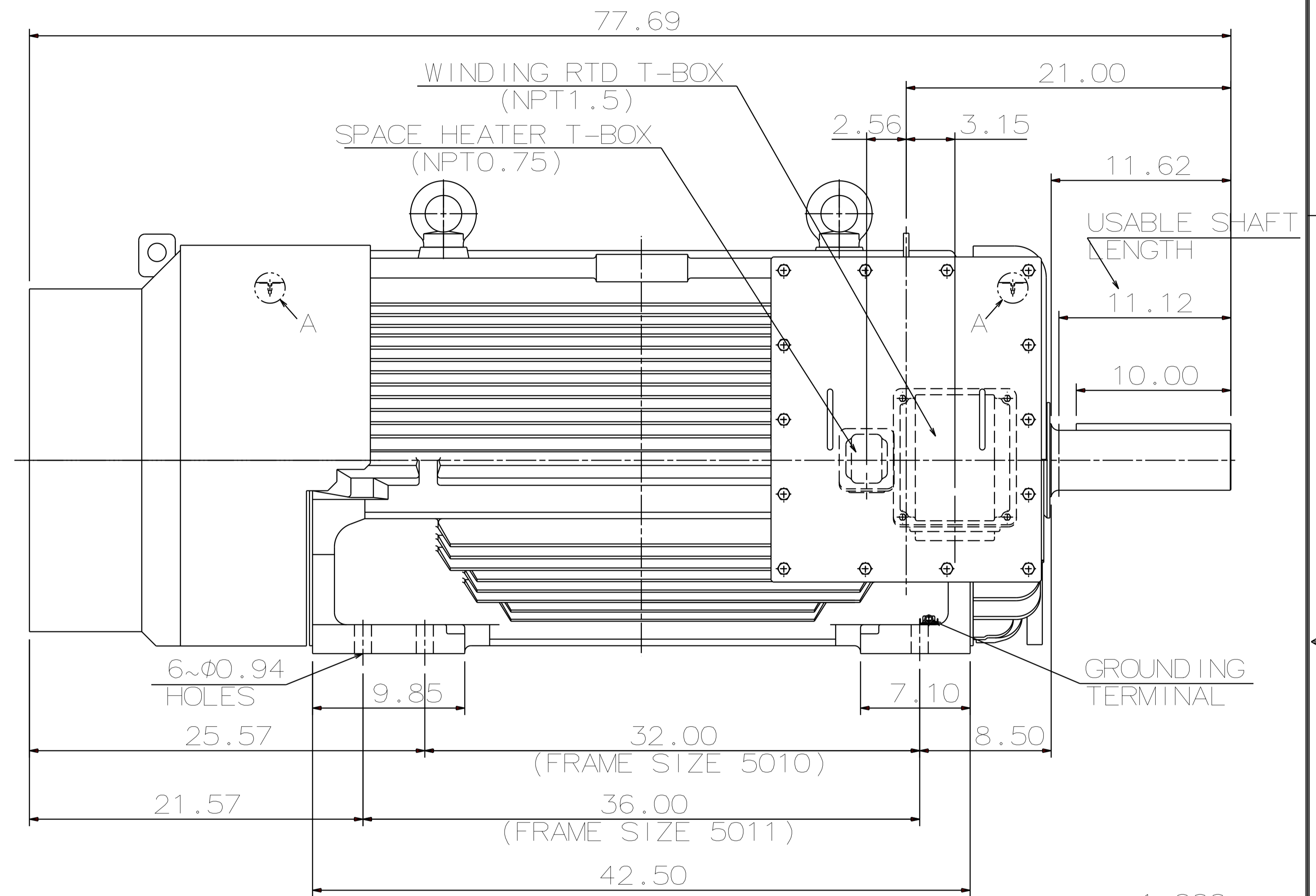
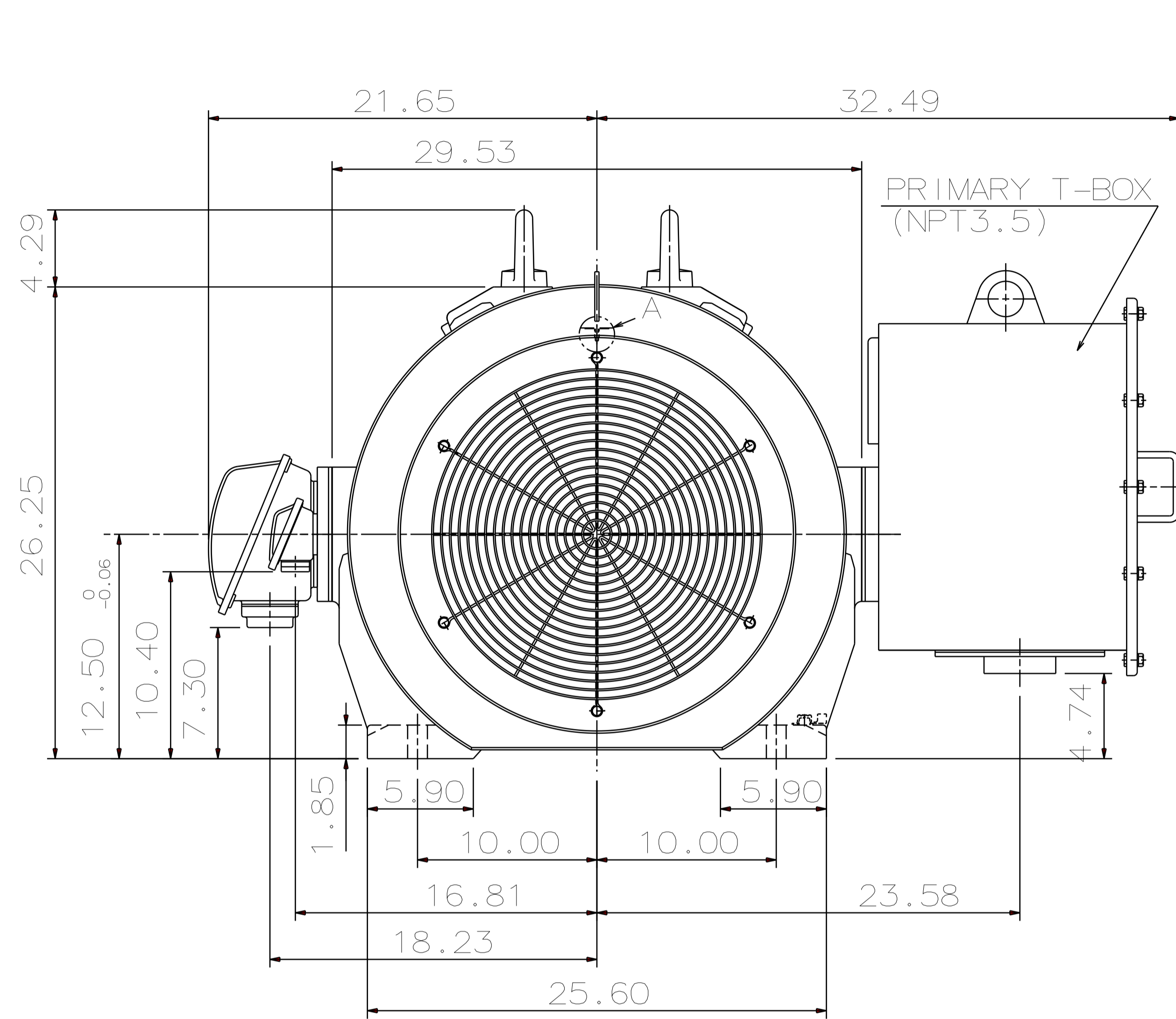




DETAIL A  
(PROVISION FOR VIBRATION SENSOR)

TYPE	OUTPUT		POLE	TIME RATING	VOLTAGE V	Hz	SYN. SPEED R.P.M
	HP.	kW.					
AEHAGD	450	335.5	4	CONT.	2300/4000	60	1800

TOTALLY ENCLOSED FAN-COOLED TYPE, SQUIRREL-CAGE ROTOR



- NOTE:
1. DIMENSIONS IN inch
  2. FRAME NO. 5011B
  3. F CLASS INSULATION, S.F.1.15
  4. FOR DIRECT FLEXIBLE COUPLING
  5. ENCLOSURE: IP55
  6. BEARING SIZE: DRIVE-END 6324  
OPP. DRIVE-END 6320
  7. WITH WINDING RTD: PT 100Ω/0°C 6PCS
  8. WITH SPACE HEATER: SINGLE PHASE, 120V
  9. PROVISION FOR BEARING RTD MOUNTING: 2~PT1/2" TAPS PER BRACKET
  10. NON-SPARKING FAN
  11. CORROSION PROOF
  12. APPROXIMATE WEIGHT: 4,620 LBS

DATE	DEC 08 2016	OUTLINE DIMENSIONS	
	KD4504	3-PHASE INDUCTION MOTOR	
DWN.	J. CHANG	MAY. 26. 2015	
CHKD.	H. HUANG	MAY. 26. 2015	
APPD.	C. LIU	MAY. 26. 2015	
TEC Westinghouse		DWG NO.	REV: 00
		4B040L391	